

CORBY

Of WINDSOR

DESIGNED EXCLUSIVELY FOR THE HOTEL INDUSTRY



RELAX, IT'S COVERED



LOOK OUT FOR THE SYMBOL



Terms and Conditions Apply: 3 Year Electrical Guarantee applies to all mains operated electrical items only, this covers failure due to electrical defects and does not cover wear and tear due to excessive use. The 3 Year Electrical Guarantee is applied automatically at purchase, no sign up required. For the full list of Terms and Conditions please visit www.corbyofwindsor.com

FEATURES

- 04 INTRODUCING THE CORBY TEAM
- 06 HERE TO SUPPORT YOU

PRODUCTS

- 10 IRONING AND GARMENT CARE
 - 12 Ironing centres & boards
 - 19 Irons
 - 21 Iron accessories
- 24 HOSPITALITY TRAYS
 - 26 Integrated trays
 - 34 Non-integrated trays
- 40 ELECTRICALS
 - 42 Kettles
 - 45 Hair dryers
 - 50 Hair dryer accessories
 - 52 Minibars
- 58 BEDROOM ACCESSORIES
 - 60 Safes
 - 63 Bins
 - 66 Tissue holders
 - 67 Luggage racks
 - 69 Hangers
 - 69 Torches
- 70 BATHROOM ACCESSORIES
 - 72 Mirrors
 - 72 Bathroom Scales
- 74 TROUSER PRESSES
 - 76 Trousers presses

Version: 1, 2020

General Contact
For all enquiries please contact:
+44 (0) 3300 882 064
Email: trade@corbyofwindsor.com

Head Office
Fired Up Buildings
St Thomas' Road
Huddersfield
United Kingdom
HD1 3LF

Website
To view the complete range of Corby products
visit: www.corbyofwindsor.com/hospitality

Social Media
Facebook: facebook.com/corbyofwindsor
Twitter: twitter.com/corbyofwindsor
LinkedIn: linkedin.com/company/corby-of-windsor

Marketing
For all marketing enquiries please email:
marketing@corbyofwindsor.com

To find your nearest distributor contact:
Tel: +44 (0) 3300 882 064 Email: trade@corbyofwindsor.com
Information correct at date of publication. Corby of Windsor reserves the right to update or modify product without any prior notice.

Multi-lingual versions of this brochure are available on request.



Corby of Windsor is part of the Fired Up Corporation, for more information visit: www.firedupcorporation.com

INTRODUCING THE CORBY TEAM

Corby of Windsor customer support is built on the ethos of putting our customers first and understanding their needs, we pride ourselves in delivering personal customer service that champions excellence throughout every step of our journey. We support your success becoming an extended member of your team, understanding the demands of your business and responding promptly.

Not only do customers have the dedicated support of our team but our online distributor hub provides a valuable information resource including a library of images and product specifications. Speak to a member of the team for further details.



LINAS BACEVICIUS
UK & IE SALES EXECUTIVE



LAURA WILLIAMS
SENIOR
ACCOUNT MANAGER



JONATHAN NICHOLS
SALES DIRECTOR



ELAINE TAN
BUSINESS DEVELOPMENT
MANAGER



LOUISE EVANS
UK AND EUROPEAN
SALES MANAGER



ANNA KACZYNSKA
SENIOR
ACCOUNT MANAGER



DAMARIS BOWKER
CUSTOMER SUPPORT
ADMINISTRATOR



HERE TO SUPPORT YOU

WE WERE ESTABLISHED
1930
IN GREAT BRITAIN

WE OPERATE
2
MANUFACTURING SITES

WE EMPLOY MORE THAN
280
STAFF ACROSS THE GROUP

WE PROVIDE
3
YEARS WARRANTY ON ELECTRICALS

PROVIDING EXCELLENCE THROUGHOUT THE CUSTOMER JOURNEY

WE OFFER MORE THAN
200
PRODUCT LINES

WE SPEAK
8
LANGUAGES

WE SUPPLY
8
OF THE TOP 10 HOTEL GROUPS

WE SHIP TO MORE THAN
60
COUNTRIES

IRONING AND GARMENT CARE



OXFORD 2000W PREMIUM IRONING CENTRE



STEAM IRON INCLUDED
2000W



ANTI-THEFT CORD TIDY
SECURES IRON



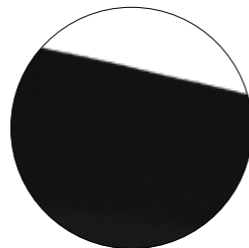
INTEGRATED HOOK
TO HANG IN A WARDROBE



ROTATING BRACKET
LEFT OR RIGHT HANDED

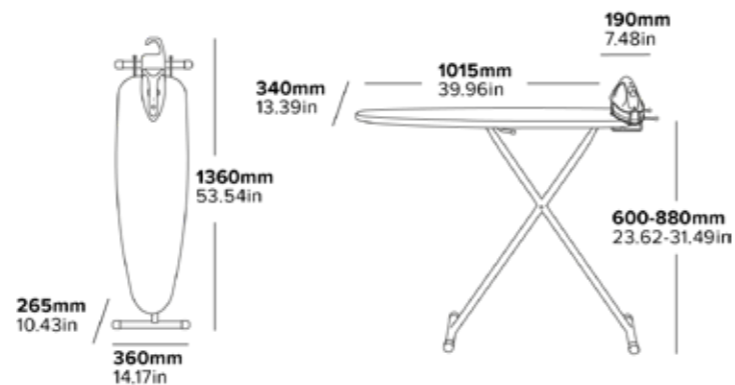


DUAL SIDED QUICK
RELEASE MECHANISM
EASY OPENING



CHOICE OF COVERS
BLACK OR ALUMINISED

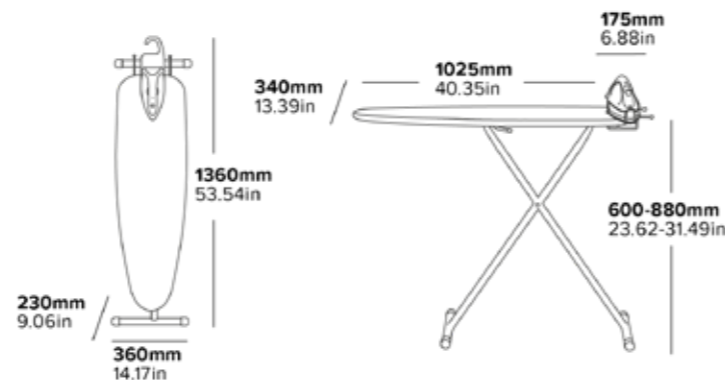
- Lightweight frame with 7 height positions
- Dual sided quick release mechanism
- Mesh pattern ironing board
- Anti-theft device
- Heat-resistant, rotating iron holster
- Foam-lined, aluminised drawstring cover
- Durable powder coated legs
- Protective rubber feet
- Integrated cable tidy & hook
- Fully Certified & CE Marked
- Choice of cover are are grey aluminised or added black cotton
- Comes complete with 2000W Sherwood Steam Iron, see p17



OXFORD STANDARD IRONING CENTRE



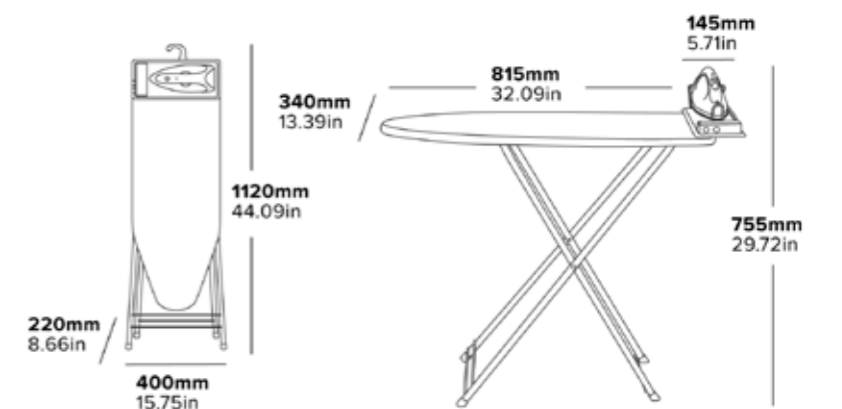
- Lightweight frame with 7 height positions
 - Dual sided quick release mechanism
 - Mesh pattern ironing board
 - Anti-theft device
 - Heat-resistant, rotating iron holster
 - Foam-lined, aluminised drawstring cover
 - Durable powder coated legs
 - Protective rubber feet
 - Integrated cable tidy & hook
 - Fully Certified & CE Marked
 - Choice of cover: grey aluminised or added black cotton cover
- Choice of irons available, see p18:
- Sherwood 1200W Steam Iron – Black
 - Sherwood 1200W Dry Iron – Black



BERKSHIRE COMPACT IRONING CENTRE



- Lightweight frame with a single height option
 - Steam flow, mesh pattern ironing board
 - Anti-theft device
 - Heat-resistant iron holster
 - Foam-lined, aluminised drawstring cover
 - Deck chair mechanism
 - Durable powder coated legs
 - Protective plastic feet
 - Integrated cable tidy
 - Integrated hook
 - Fully Certified & CE Marked
- Choice of irons available, see p18:
- Sherwood 1200W Steam Iron - Black
 - Sherwood 1200W Dry Iron - Black
- Available with MOQ



CAMBRIDGE COMPACT IRONING CENTRE



SEPARATE BRACKET
FLEXIBLE POSITIONING



EASY OPENING
SINGLE BRACKET



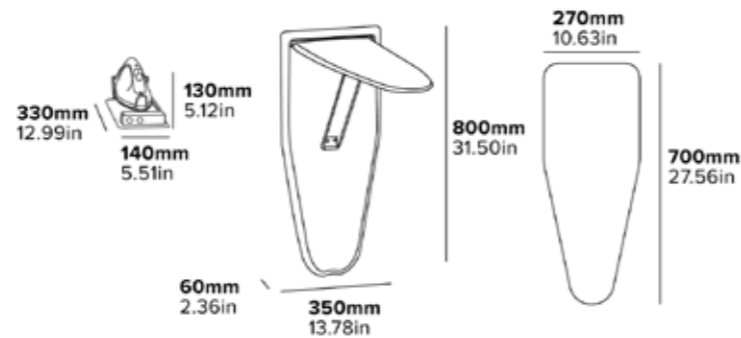
ALUMINISED COVER
REFLECTS HEAT FOR
EFFICIENT IRONING



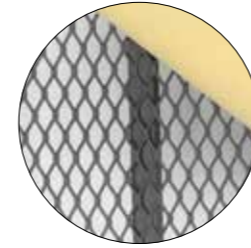
ANTI-THEFT DEVICE
SECURES IRON



- Wall-mounted
 - Anti-theft device
 - Heat-resistant iron holster
 - Foam-lined aluminised drawstring cover
 - Fixings included
 - Fully Certified & CE Marked
- Choice of irons available, see p18:
- Sherwood 1200W Steam Iron - Black
 - Sherwood 1200W Dry Iron
Black Available with MOQ



OXFORD STANDARD IRONING BOARD



MESH BOARD
FOR STEAM FLOW



**DUAL SIDED QUICK
RELEASE MECHANISM**
EASY OPENING



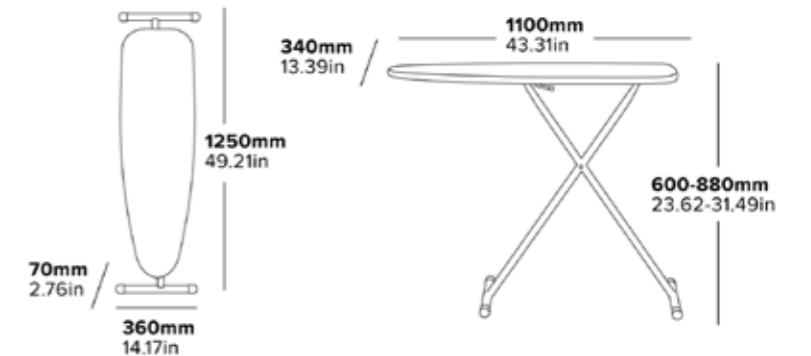
CHOICE OF COVERS
BLACK OR ALUMINISED



RUBBER FEET
TO GRIP HARD
& SOFT FLOORS



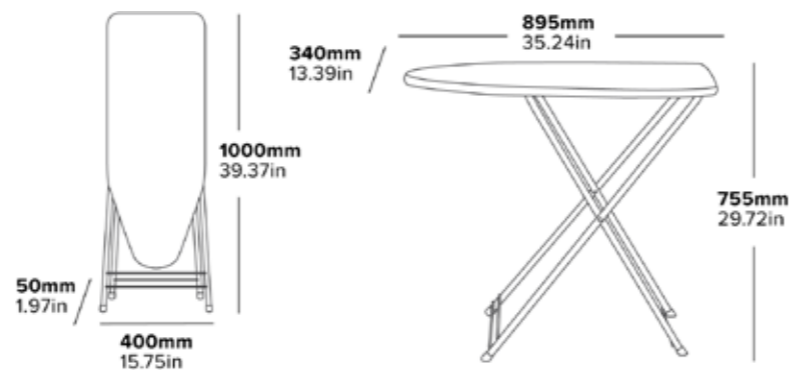
- Lightweight frame with 7 height positions
- Dual sided quick release mechanism
- Mesh pattern ironing board
- Foam-lined, aluminised cover
- Durable powder coated legs
- Drawstring cover
- Protective rubber feet
- Choice of cover are grey aluminised or added black cotton cover



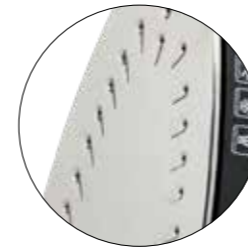
BERKSHIRE COMPACT IRONING BOARD



- Lightweight frame with a single height option
- Deck chair mechanism
- Mesh pattern ironing board
- Foam-lined, aluminised cover
- Durable powder coated legs
- Drawstring cover
- Protective plastic feet



SHERWOOD 2000W STEAM IRON



STAINLESS STEEL SOLE PLATE
NON STICK & DURABLE



SELF CLEANING BUTTON
REMOVES SCALE AND IMPURITIES



DUAL LED LIGHTS
HEATING INDICATOR



TEMPERATURE DIAL
65°-230°C



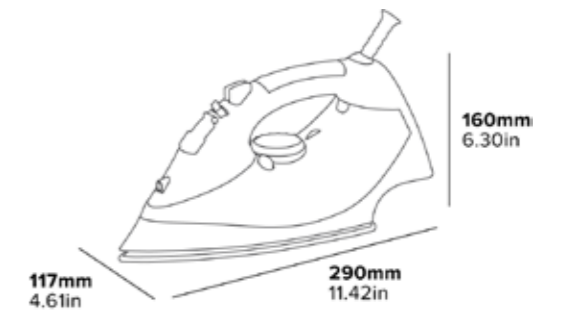
FILL INDICATOR
HORIZONTAL & VERTICAL



STEAM & SPRAY
FOR STUBBORN CREASES

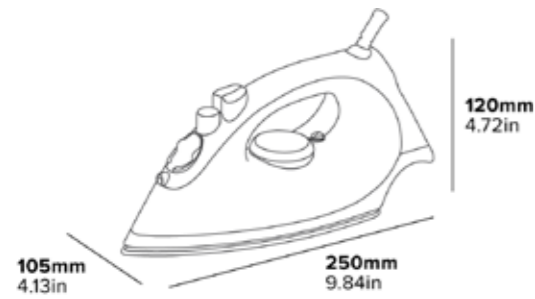


- Auto-off feature cuts heat in 30 seconds if left on sole plate and in 8 minutes on heel
- Non-stick 179cm² stainless steel sole plate
- 330ml water tank
- Vertical steam, shot of steam (15-30g/min)
- Water spray
- Iron temperature range of 65 - 230°C
- Fabric/temperature dial
- Self cleaning function
- Dual LED lights
- Rubber handle
- 220-240V 50-60Hz with 3m cord
- Fully Certified & CE Marked



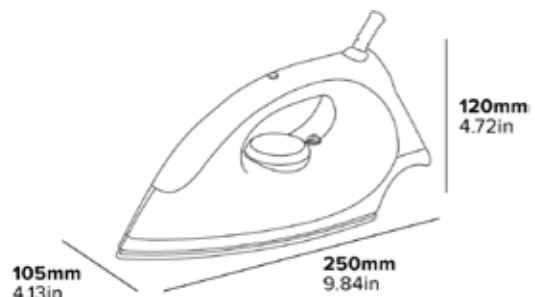
SHERWOOD 1200W STEAM IRON

- Auto-off feature cuts heat in 30 seconds if left on sole plate and in 8 minutes on heel
- Stainless steel, non-stick sole plate
- 145ml capacity water tank
- Vertical steam, shot of steam (8g/min)
- Dual LED lights
- 220-240V 50-60Hz with 2.5m cord
- Fully Certified & CE Marked

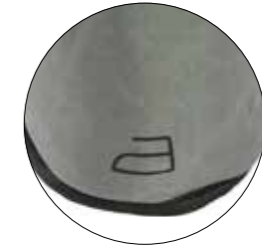


SHERWOOD 1200W DRY IRON

- Auto-off feature cuts heat in 30 seconds if left on sole plate and in 8 minutes on heel
- Non-stick sole plate
- Dual LED lights
- 220-240V 50-60Hz with 2.5m cord
- Fully Certified & CE Marked



SHERWOOD IRON CADDY



REINFORCED BASE TO PREVENT HEAT TRANSFER



CORD STORAGE



DOUBLE ZIP ACTION



EASY TO CARRY



HEAT RESISTANT MATERIAL

- Fits all Sherwood irons
- Interior material is heat resistant
- Reinforced base of the bag prevents heat damage to other surfaces
- Suitable for use directly after finishing ironing
- Provides a clean and secure storage option
- Padded bag offers the iron protection whilst being transported or not in use
- Includes a sturdy zipper closure and convenient cord storage



SHERWOOD HOLDER FOR IRON & IRONING BOARD



WALL MOUNTED
SPACE SAVING



CHROME RETAINING BAR
SECURES IRON



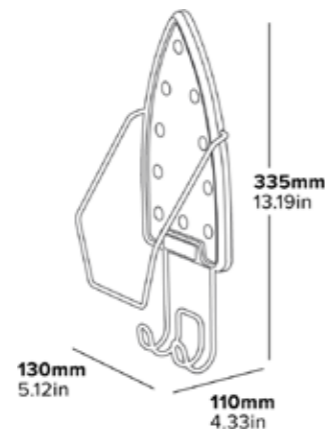
CONCEALED FIXINGS



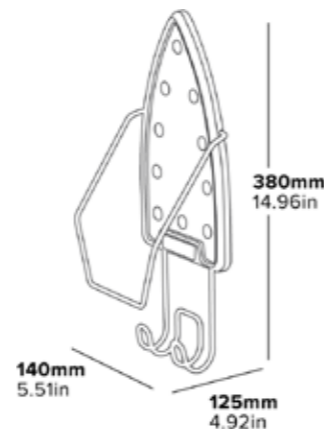
CHROME HOOK
HOLDS ALL CORBY
IRONING BOARDS

- Wall mounted
 - Heat-resistant resting plate
 - Chrome finish retaining bar
 - Durable construction
 - Concealed fixings included
 - Designed for use with Sherwood Iron Range
- Model Compatibility, see p17, 18:
- 1200 - For all Sherwood 1200W irons
 - 2000 - For Sherwood 2000W Iron

1200 MODEL



2000 MODEL



SHERWOOD HOLDER FOR IRONING BOARD

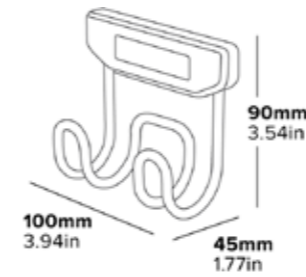


CHROME HOOK
HOLDS ALL CORBY
IRONING BOARDS



CONCEALED FIXINGS

- Mountable on a variety of surfaces
- Chrome hook
- Durable construction
- Fixings included



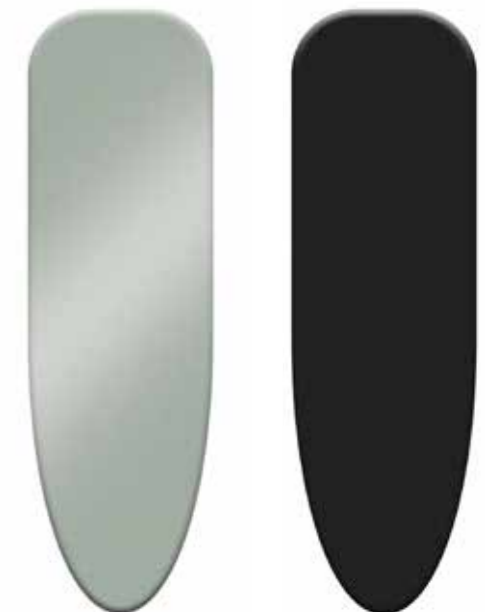
REPLACEMENT COVERS

- Direct replacement for Corby ironing boards & centres
- Exact fit for Corby lines
- Drawstring fitting
- Table shows available combinations

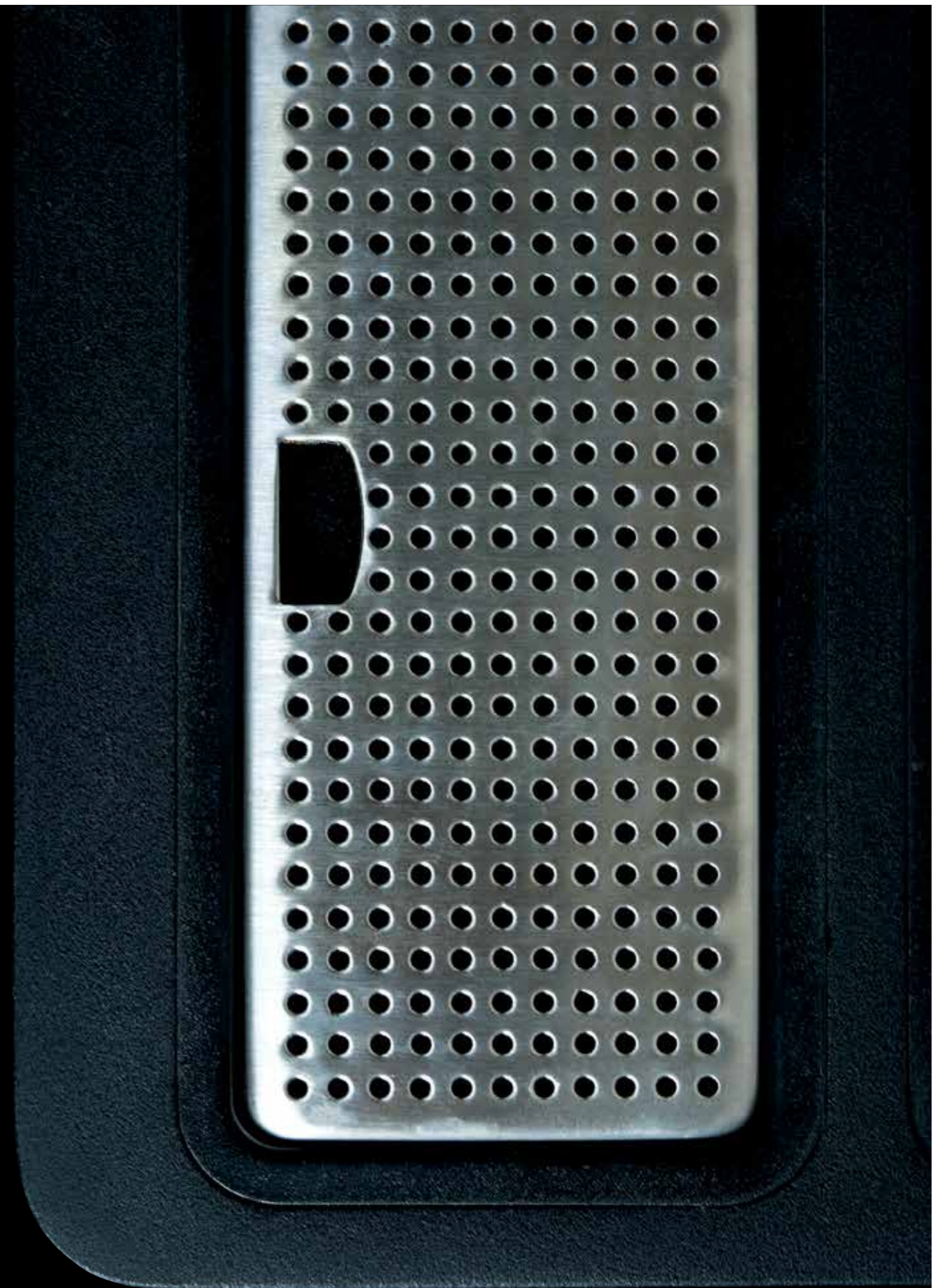
	OXFORD STANDARD BOARD & CENTRE	CAMBRIDGE COMPACT CENTRE	BERKSHIRE COMPACT CENTRE
ALUMINISED COVER	•	•	•
BLACK COVER	•		•

ALUMINISED COVER

BLACK COVER



HOSPITALITY TRAYS



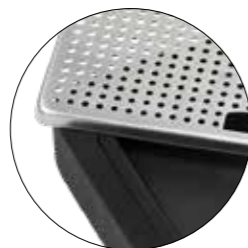
BUCKINGHAM STANDARD WELCOME TRAY



**ANTI-THEFT
SECURE FIXING**



**CHROME KETTLE
1L CAPACITY**



**REMOVABLE DRIP TRAY
EASY CLEANING**

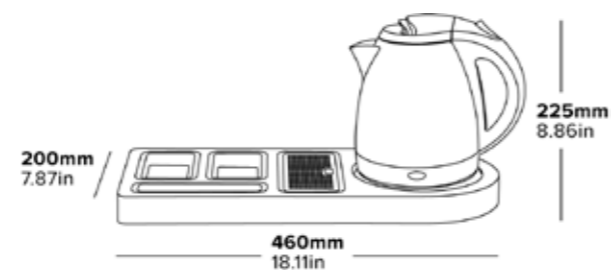


**RUBBER FEET
ANTI-SCRATCH**



**CHOICE OF COLOUR
BLACK, LIGHT OR
DARK WOOD**

- Black tray is made of moisture resistant MDF wood
- Dark and light wood tray are made of solid wood
- Integrated welcome tray
- Removable "drip tray" in perforated stainless steel
- Built in ABS sachet holders
- Rubber feet
- Tray incorporates kettle anti-theft device
- Includes Buckingham 1L Kettle (see p41)
- Available in a range of finishes
- Fully Certified & CE Marked



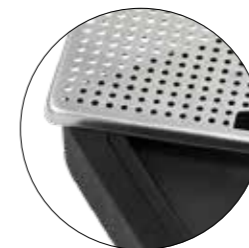
BUCKINGHAM COMPACT WELCOME TRAY



**ANTI-THEFT
SECURE FIXING**



**CHROME KETTLE
1L CAPACITY**



**REMOVABLE DRIP TRAY
EASY CLEANING**

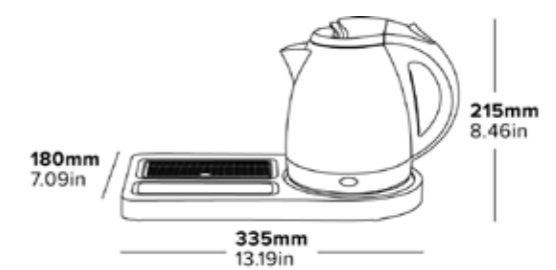


**RUBBER FEET
ANTI-SCRATCH**



**CHOICE OF COLOUR
BLACK, LIGHT OR
DARK WOOD**

- Black tray is made of moisture resistant MDF wood
- Dark and light wood tray are made of solid wood
- Integrated welcome tray
- Removable "drip tray" in perforated stainless steel
- Built in ABS sachet holders
- Rubber feet
- Tray incorporates kettle anti-theft device
- Includes Buckingham 1L Kettle (see p41)
- Available in a range of finishes
- Fully Certified & CE Marked



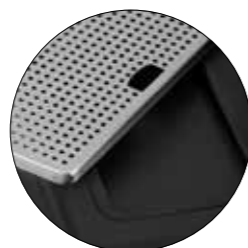
KENSINGTON COMPACT WELCOME TRAY



**ANTI-THEFT
SECURE FIXING**



**BRUSHED STEEL KETTLE
0.6L CAPACITY**



**REMOVABLE DRIP TRAY
EASY CLEANING**



**RUBBER FEET
ANTI-SCRATCH**



**LARGE SACHET DRAWER
DISCRETE STORAGE**

- Integrated space saving welcome tray
- Removable sachet holder
- Removable "drip tray" in perforated stainless steel
- Outer tray made of moisture resistant MDF wood
- Large sachet holder made of hard-wearing nylon
- High grip rubber feet
- Tray incorporates kettle anti-theft device
- Includes Kensington 0.6L Kettle (see p40)
- Fully Certified & CE Marked



AINTREE COMPACT WELCOME TRAY



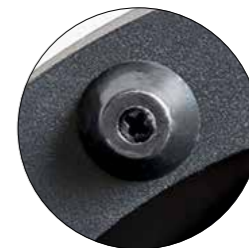
**ANTI-THEFT
SECURE FIXING**



**BRUSHED STEEL KETTLE
0.6L CAPACITY**



**REMOVABLE DRIP TRAY
EASY CLEANING**



**RUBBER FEET
ANTI-SCRATCH**



**ABS SACHET HOLDERS
EASY PRESENTATION**

- Made of moisture resistant MDF wood
- Integrated space saving welcome tray
- Removable "drip tray" in perforated stainless steel
- Built in ABS sachet holders
- Rubber feet
- Tray incorporates kettle anti-theft device
- Includes Kensington 0.6L Kettle (see p40)
- Fully Certified & CE Marked



BECKETT COMPACT WELCOME TRAY



HOSPITALITY TRAYS

28



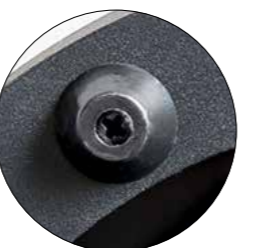
**ANTI-THEFT
SECURE FIXING**



**BRUSHED STEEL KETTLE
0.6L CAPACITY**



**REMOVABLE DRIP TRAY
EASY CLEANING**

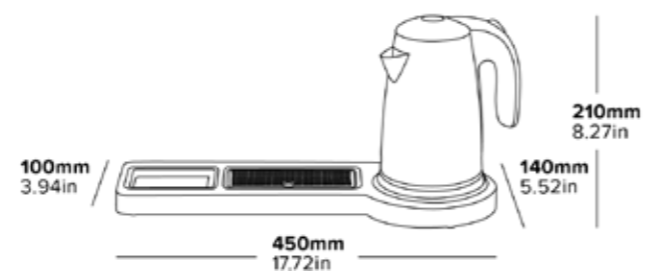


**RUBBER FEET
ANTI-SCRATCH**



**ABS SACHET HOLDERS
EASY PRESENTATION**

- Made of moisture resistant MDF wood
- Integrated space saving welcome tray
- Removable “drip tray” in perforated stainless steel
- Built in ABS sachet holders
- Rubber feet
- Tray incorporates kettle anti-theft device
- Includes Kensington 0.6L Kettle (see p40)
- Fully Certified & CE Marked



HOSPITALITY TRAYS

29

LANCASTER COMPACT WELCOME TRAY



RUBBER FEET
ANTI-SCRATCH



ANTI-THEFT
SECURITY OF KETTLE

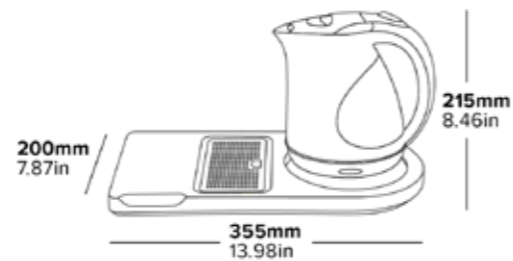


SACHET HOLDER
PRE-FILL FOR
EASY SWAP



POLYPROPYLENE KETTLE
1L CAPACITY

- Made of moisture resistant MDF wood
- Integrated welcome tray
- Removable "drip tray" in perforated stainless steel
- Separate ABS condiment holder
- Rubber feet
- Tray incorporates kettle anti-theft device
- Includes Lancaster 1L Kettle (see p42)
- Black Finish
- Fully Certified & CE Marked



ASCOT STANDARD HOSPITALITY TRAY SET



ANTI-THEFT
SECURE FIXING



HIGH SIDES
CONTAINS SPILLS



STANDARD TRAY
CUT OUT
TO FIT KETTLE

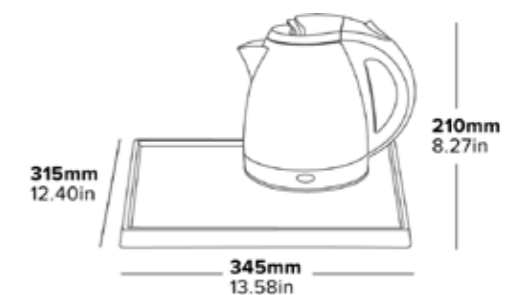


CHROME KETTLE
1L CAPACITY



MUG & SACHET HOLDER
GLOSS BLACK EASY
CLEANING

- Non-integrated melamine tray set with raised sides
- Kettle cut out section to fit Buckingham 1L kettle
- Removable Ascot Mug Tray and Sachet Holder
- Heat resistant to 140°C
- Tray incorporates kettle anti-theft device
- Cable tidy feature
- Includes Buckingham 1L Kettle (see p41)
- Fully Certified & CE Marked



ASCOT MUG TRAY

- Made from hard-wearing gloss melamine
- Heat resistant to 140°C
- Integrated carry handles
- Case quantity 5



ASCOT SACHET HOLDER

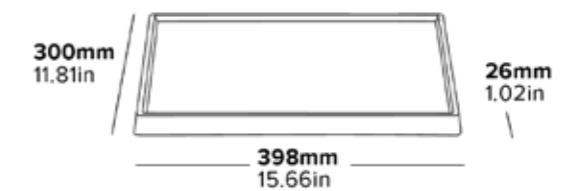
- Made from hard-wearing gloss melamine
- Heat resistant to 140°C
- Internal dividers for portion control
- Case quantity 5



EPSOM STANDARD HOSPITALITY TRAY



- Non-integrated tray with side cut out for easy handling
- Made from hard-wearing gloss melamine
- Heat resistant to 140°C
- Suitable to use with Corby kettles and sachet holders
- Easy to clean
- Raised lip edge to avoid spillage
- Case Quantity 6



RICHMOND COMPACT HOSPITALITY TRAY SET



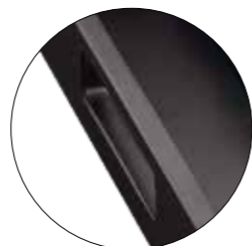
HIGH SIDES
CONTAINS SPILLS



MUG & SACHET TRAY
GLOSS BLACK
MELAMINE PLASTIC

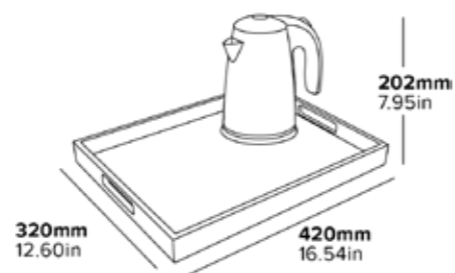


KENSINGTON 0.6L KETTLE
OR ANY KETTLE FROM
OUR RANGE



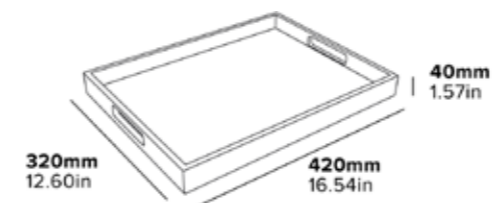
INTEGRATED HANDLES
EASY TO CARRY

- Non-integrated hospitality tray set with raised sides
- Made of sapele wood
- Includes removable Thame sachet holder - or any sachet holder from our range
- Ascot Mug tray with carry handles
- Includes Kensington 0.6L Kettle (see p40) or any kettle from our range



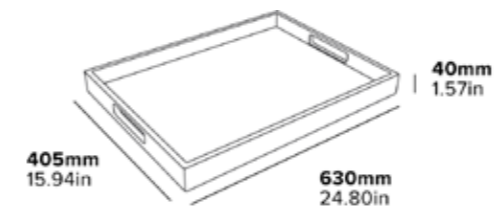
RICHMOND COMPACT BUTLER TRAY

- Butler tray with raised sides
- Made of sapele wood
- Durable construction
- Lacquered finish for easy cleaning
- Integrated handles
- Accommodates tray liners up to 400 x 300mm



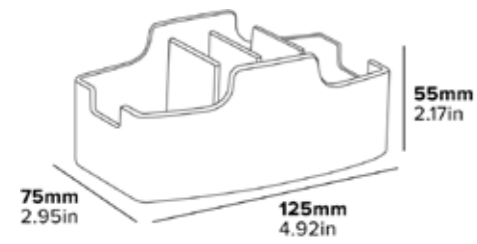
RICHMOND STANDARD BUTLER TRAY

- Butler tray with raised sides
- Made of sapele wood
- Durable construction
- Lacquered finish for easy cleaning
- Integrated handles
- Accommodates tray liners up to 610 x 385mm
- Dark wood finish



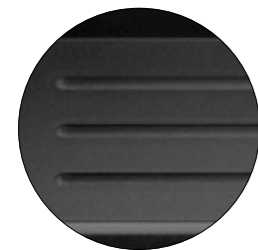
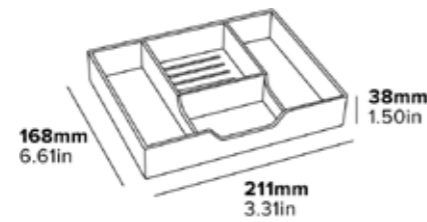
MIDDLETON SACHET HOLDER

- Made from hard-wearing ABS plastic
- Rubber feet
- Heat resistant to 130°C
- Case quantity 5



KENSINGTON SACHET HOLDER

- As used in Kensington Compact Welcome Tray (see p26)
- Made from hard-wearing Nylon
- Heat resistant to 200°C
- Internal dividers for portion control
- Internal sachet grooves to stand up sachets

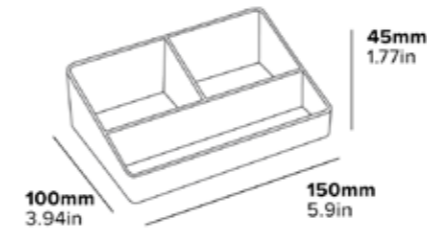


GROOVED COMPARTMENT HOLDS SACHETS



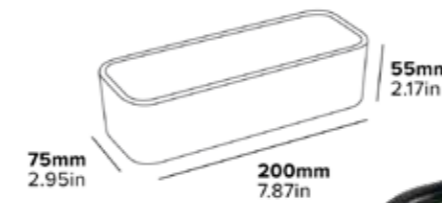
THAME SACHET HOLDER

- Made from hard wearing gloss melamine
- Heat resistant to 140°C
- Internal dividers for portion control
- Case quantity 5



KINGSTON SACHET HOLDER

- Made from hard wearing gloss melamine
- Heat resistant to 140°C





ELECTRICALS

KENSINGTON 0.6L KETTLE



PUSH TO OPEN
EASY TO USE



SPOUT
WITH REMOVABLE FILTER



CORDLESS OPERATION
360° BASE



ON/OFF SWITCH
WITH OPERATION LIGHT



STRIX CONTROL
PATENTED SAFETY



BRUSHED STEEL FINISH
0.6L CAPACITY

- Eco friendly 0.6L capacity
- Brushed 304 stainless steel body
- Strix controlled with auto-switch off boil dry protection
- Additional "lift off reset" safety feature
- LED power indicator light
- 360° cordless operation
- Concealed heating element
- Push button hinged lid
- Integrated cord tidy
- 1000 watt - 230V, 50Hz
- Fully Certified & CE Marked
- Cable length 0.7m



BUCKINGHAM 1L KETTLE



STRIX CONTROL
PATENTED SAFETY



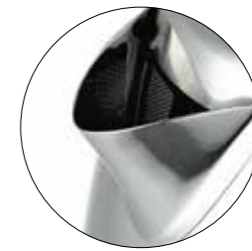
CHROME FINISH
1L CAPACITY



CORDLESS OPERATION
360° BASE



OPERATION LIGHT
SAFETY FEATURE

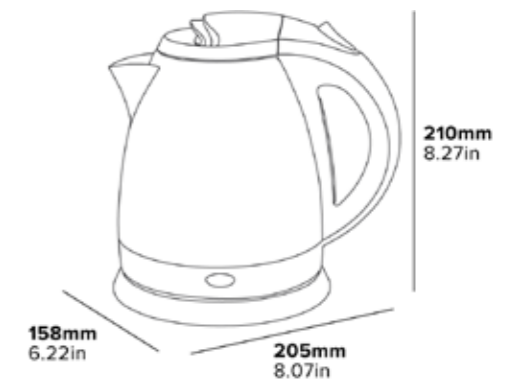


SPOUT
WITH REMOVABLE FILTER



ON/OFF SWITCH
EASY TO USE

- 1L capacity
- Polished 304 stainless steel body with chrome finish
- Strix controlled with auto-switch off boil dry protection
- Additional "lift off reset" safety feature
- LED power indicator light
- 360° cordless operation
- Concealed heating element
- Lockable lid with pull handle opening
- Integrated cord tidy
- 1250 - 1500 watt - 220-240V, 50Hz
- Fully Certified & CE Marked
- Cable length 0.7m



LANCASTER 1L KETTLE



OPERATION LIGHT
SAFETY FEATURE



ON/OFF SWITCH
EASY TO USE



CORDLESS OPERATION
360° BASE



CHOICE OF COLOUR
1L CAPACITY BLACK OR
WHITE FINISH

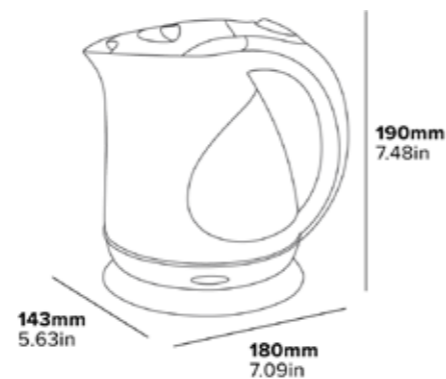


STRIX CONTROL
PATENTED SAFETY

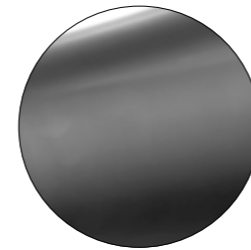


MOLDED SPOUT
WITH REMOVABLE FILTER

- 1L capacity
- Available in white or black plastic body
- Strix controlled with auto-switch off boil dry protection
- Additional "lift off reset" safety feature
- LED power indicator light
- 360° cordless operation
- Concealed heating element
- Lockable lid with pull handle opening
- Integrated cord tidy
- 1250 - 1500 watt - 220-240V, 50Hz
- Available in White or Black
- Fully Certified & CE Marked
- Cable length 0.7m



BEDFORD 2000W FOLDING HAIR DRYER



BLACK FINISH
DARK AND STYLISH



FOLDING HANDLE
COMPACT STORAGE



REMOVABLE CAP
EASY CLEANING



MOLDED HANDLE
ERGONOMIC GRIP

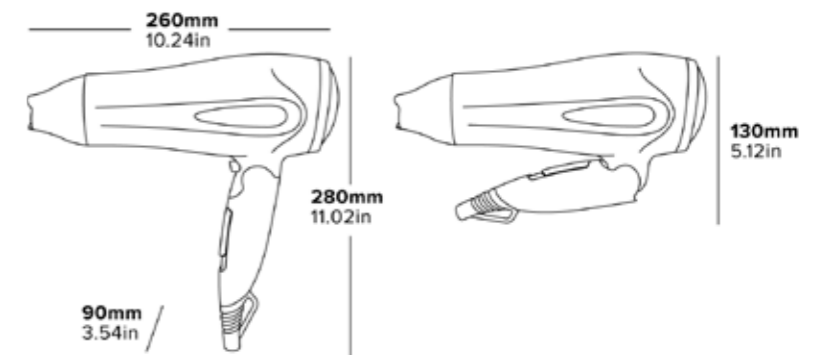


COOL BLOW
PUSH BUTTON



MULTIPLE SETTINGS
HEAT AND SPEED

- Black handle with chrome detail
- Ergonomically designed handle
- 2 speed settings
- 3 heat settings
- Cool blow feature
- Comes with concentrator for precise drying and styling
- Zigzag heater
- Removable end cap for easy cleaning
- Over heating protection device
- Integrated loop for hanging
- 2000W max power
- 220-240V, 50/60Hz
- Fully Certified & CE Marked
- Cable length 0.8m coiled & uncoiled up to 2.1m
- Electrical insulated class 2



CHESTER 1800W HAIR DRYER



BLACK FINISH
DARK AND STYLISH



CONCENTRATOR NOZZLE
PRECISE APPLICATION



REMOVABLE CAP
EASY CLEANING



MOLDED HANDLE
ERGONOMIC GRIP

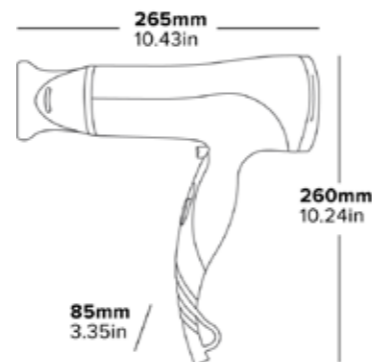


COOL BLOW
PUSH BUTTON



MULTIPLE SETTINGS
HEAT AND SPEED

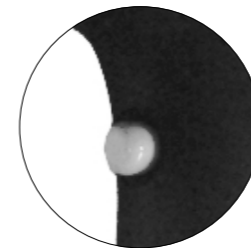
- Black handle with chrome detail
- Ergonomically designed handle
- 2 speed settings
- 3 heat settings
- Cool blow feature
- Comes with concentrator for precise drying and styling
- Zigzag heater
- Removable end cap for easy cleaning
- Over heating protection device
- Integrated loop for hanging
- Electrical insulated class 2
- 1800W max power - 220-240V, 50/60Hz
- Fully Certified & CE Marked
- Cable length 0.8m coiled & uncoiled up to 2.1m



DALTON 1600W HAIR DRYER



BLACK FINISH
DARK AND STYLISH



TRIGGER ACTIVATED
PREVENTS MISUSE

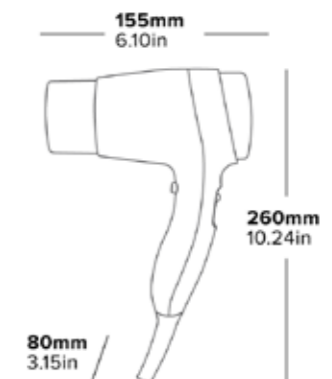


CONCENTRATOR NOZZLE
PRECISE APPLICATION



MOLDED HANDLE
ERGONOMIC GRIP

- Black handle with chrome detail
- Ergonomically designed handle
- Trigger activated
- 2 heat settings
- Comes with concentrator for precise drying and styling
- Electrical insulated class 2
- 1600W max power - 220-240V, 50/60Hz
- Fully Certified & CE Marked
- Cable length 0.8m coiled & uncoiled up to 1.8m



KENDAL 1600W WALL MOUNTED HAIR DRYER



TRIGGER ACTIVATED
PREVENTS MISUSE



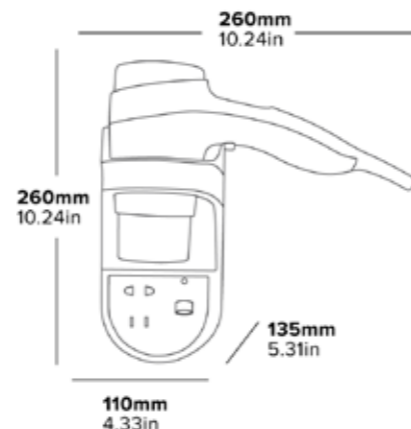
2 HEAT SETTINGS
AND COOL BLOW



SHAVING SOCKET
GUEST CONVENIENCE



GLOSS WHITE FINISH
LIGHT AND CLEAN



- Anti-theft hair dryer
- Wall mounted
- Trigger activated
- 2 heat settings
- Cool blow feature
- Hard wired
- Electrical insulated class 2
- 1600W max power - 220-240V 50/60Hz
- Shaver socket: 115/230V
- Concealed fixings included
- Fully Certified & CE Marked
- Cable length 0.5m coiled & uncoiled up to 1.4m
- Mains cable length 0.9m

LINTON 1200W WALL MOUNTED HAIR DRYER



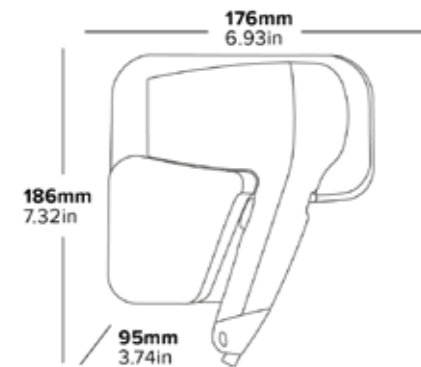
TRIGGER ACTIVATED
PREVENTS MISUSE



GLOSS WHITE FINISH
LIGHT AND CLEAN



2 HEAT SETTINGS
AND COOL BLOW

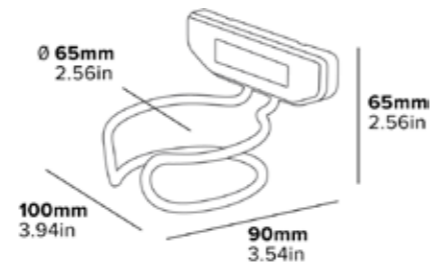


- Anti-theft hair dryer
- Wall or drawer mounted
- Trigger activated
- 2 heat settings
- Hard wired
- Electrical insulated class 2
- 1200W max power - 220-240V, 50/60Hz
- Concealed fixings included
- Fully Certified & CE Marked
- Cable length 0.5 coiled & uncoiled up to 1.6m

BROMLEY HAIR DRYER RING



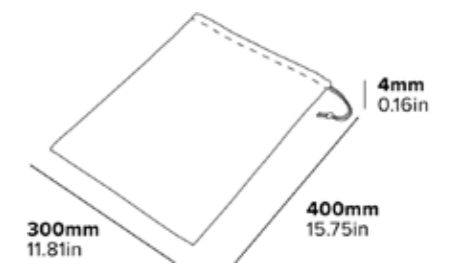
- Wall mountable
- Concealed fixings included
- Can accommodate Chester, Dalton and Bedford hair dryers
- Rigid and durable construction



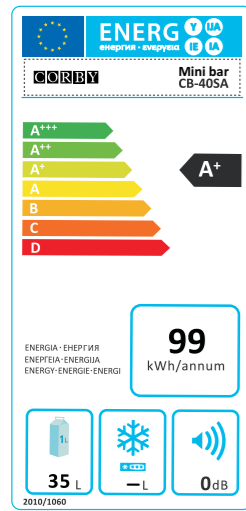
BROMLEY HAIR DRYER BAG



- Soft material to protect hair dryer
- Ideal storage solution
- 100% Terylene (Polyester)
- Black
- Drawstring
- Inner bag size: 300 x 400mm
- Case quantity 5



ETON 40L LOCKABLE MINIBAR



LEFT OR RIGHT OPENING
FLEXIBLE USE

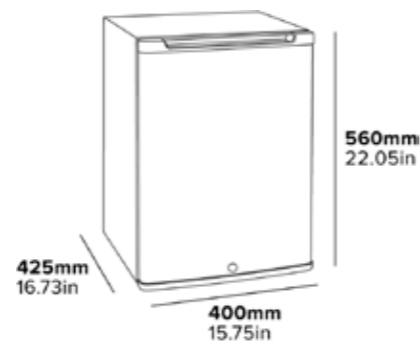


ADJUSTABLE SHELVES
FOR LARGER ITEMS

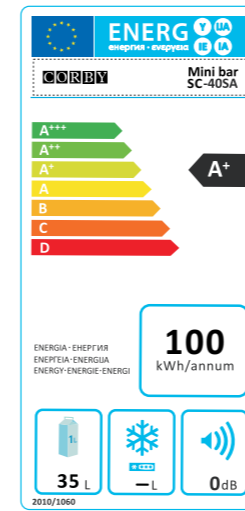


LOCKABLE DOOR
SAFE AND SECURE

- No Compressor or CFC's
- A+ energy efficiency rating
- R600a refrigerant (Non-ammonia coolant)
- Vibration free silent operation
- Peltier cooling technology with condenser for efficient cooling
- Interior LED light
- 63 watt - 220-240V, 50-60Hz
- Insulation: Cyclopentane
- Integrated door lock with 2 keys
- Adjustable shelving and door storage
- Left & Right opening options
- Discrete hinges
- Can accommodate a 1L bottle of water or wine
- Fully Certified & CE Marked
- Adjustable dial control



ETON 40L GLASS DOOR MINIBAR



LEFT OR RIGHT OPENING
FLEXIBLE USE

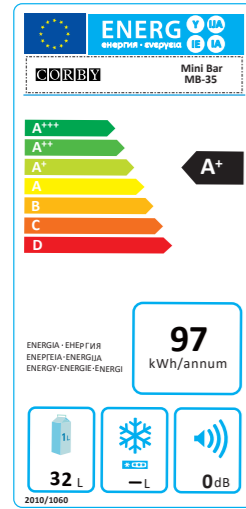


ADJUSTABLE SHELVES
FOR LARGER ITEMS

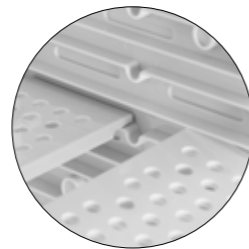
- No Compressor or CFC's
- Low-e glass door with A+ energy efficiency rating
- R600a refrigerant (Non-ammonia coolant)
- Vibration free silent operation
- Peltier cooling technology with condenser for efficient cooling
- Interior LED light
- 63 watt - 220-240V, 50-60Hz
- Insulation: Cyclopentane
- Adjustable shelving and door storage
- Left & Right opening options
- Discrete hinges
- Can accommodate a 1L bottle of water or wine
- Fully Certified & CE Marked
- Adjustable dial control



ETON 35L LOCKABLE MINIBAR



LEFT OR RIGHT OPENING
FLEXIBLE USE

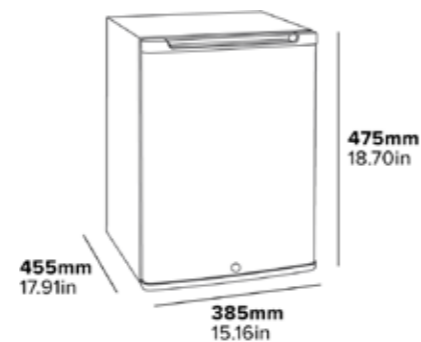


ADJUSTABLE SHELVES
FOR LARGER ITEMS

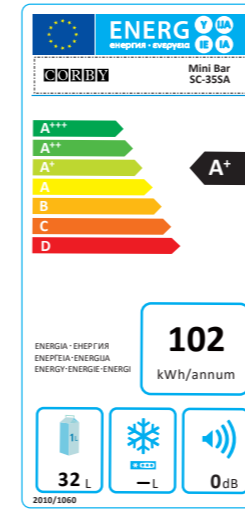


LOCKABLE DOOR
SAFE AND SECURE

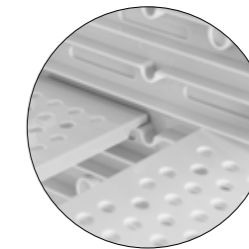
- No Compressor or CFC's
- A+ energy efficiency rating
- R600a refrigerant (Non-ammonia coolant)
- Vibration free silent operation
- Peltier cooling technology with condenser for efficient cooling
- Interior LED light
- 65 watt - 220-240V 50-60Hz
- Insulation: Cyclopentane
- Integrated door lock with 2 keys
- Adjustable shelving and door storage
- Left & Right opening options
- Can accommodate a 1L bottle of water or wine
- Fully Certified & CE Marked
- Adjustable dial control



ETON 35L GLASS DOOR MINIBAR



LEFT OR RIGHT OPENING
FLEXIBLE USE

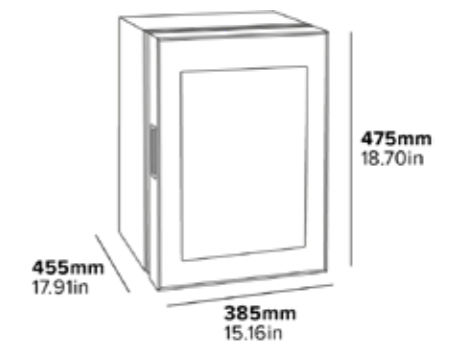


ADJUSTABLE SHELVES
FOR LARGER ITEMS

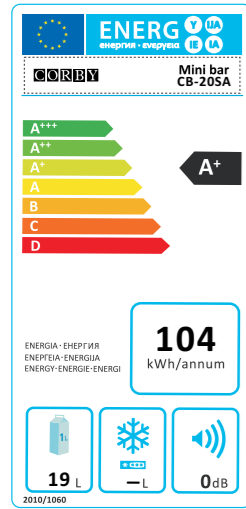


VISIBLE PRODUCT
INCREASE IN-ROOM SALES

- No Compressor or CFC's
- Low-e glass door with A+ energy efficiency rating
- R600a refrigerant (Non-ammonia coolant)
- Vibration free silent operation
- Peltier cooling technology with condenser for efficient cooling
- Interior LED light
- 65 watt - 220-240V 50-60Hz
- Insulation: Cyclopentane
- Adjustable shelving
- Left & Right opening options
- Can accommodate a 1L bottle of water or wine
- Fully Certified & CE Marked
- Adjustable dial control



ETON 20L LOCKABLE MINIBAR

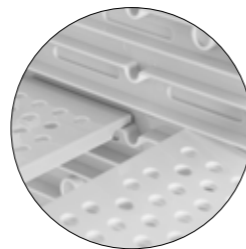


ELECTRICALS

54



LEFT OR RIGHT OPENING
FLEXIBLE USE



ADJUSTABLE SHELVES
FOR LARGER ITEMS

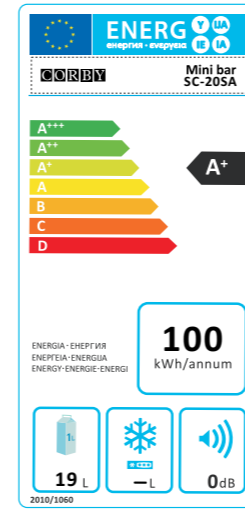


LOCKABLE DOOR
SAFE AND SECURE

- No Compressor or CFC's
- A+ energy efficiency rating
- R600a refrigerant (Non-ammonia coolant)
- Vibration free silent operation
- Peltier cooling technology with condenser for efficient cooling
- Interior LED light
- 65 watt - 220-240V 50-60Hz
- Insulation: Cyclopentane
- Adjustable shelving and door storage
- Left & Right opening options
- Fully Certified & CE Marked
- Adjustable dial control
- Integrated door lock with 2 keys



ETON 20L GLASS DOOR MINIBAR

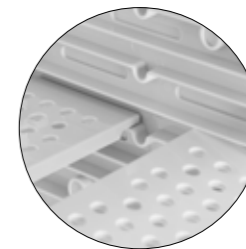


ELECTRICALS

55



LEFT OR RIGHT OPENING
FLEXIBLE USE



ADJUSTABLE SHELVES
FOR LARGER ITEMS



VISIBLE PRODUCT
INCREASE IN-ROOM SALES

- No Compressor or CFC's
- Low-e glass door with A+ energy efficiency rating
- R600a refrigerant (Non-ammonia coolant)
- Vibration free silent operation
- Peltier cooling technology with condenser for efficient cooling
- Interior LED light
- 65 watt - 220-240V 50-60Hz
- Insulation: Cyclopentane
- Adjustable shelving
- Left & Right opening options
- Fully Certified & CE Marked
- Adjustable dial control



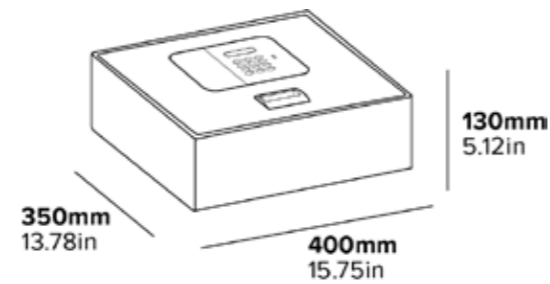
BEDROOM ACCESSORIES



MAYFAIR DIGITAL OPEN TOP SAFE



- 1-6 digit guest code operation
- Supplied with back up power pack
- Supplied with 4x AA long life Panasonic batteries & 2 manual keys
- 4 Base fixing points (Fixings supplied)
- Carpeted interior
- Suitable for laptops up to 15"
- Compatible with CEU (Sold separately)
- Hydraulic assisted door
- Smooth & easy opening
- Digital braille control panel with LED display & sound
- Aperture: W: 360mm x D: 290mm
- 3mm steel door
- 1.5mm steel body



WESTMINSTER DIGITAL LAPTOP SAFE



CEU DEVICE COMPATIBLE
UNLOCKS ADDITIONAL
FUNCTIONS



DIGITAL DISPLAY
EASY TO READ



CARPETED INTERIOR
CUSHIONED BASE



SOLID STEEL BOLTS
EXTRA SECURE

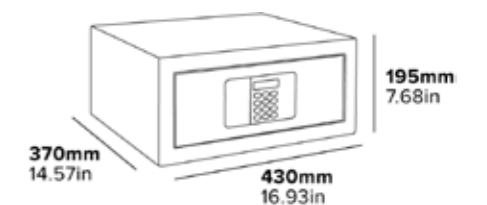


MANAGEMENT ACCESS
VIA FRONT CONNECTION

- Electronic locking mechanism with spring loaded door
- User passwords for guests to open
- Password entry instructions on door
- Back up power pack with 4 x AA Batteries and 2 x back up keys
- Carpeted interior
- Suitable for laptops up to 15"
- Steel body with textured black finish
- Interior light
- Solid steel locking bolts
- Includes full operating instructions
- Internal dimensions:
H 180 W420 D 320 mm
- Aperture: H130 W345 mm

With Computerised Emergency Unit (Sold separately)

- Set safe master pass-code, date & time
- Read safe access records (Max 125)
- Set interior lamp
- Connects to PC



WHITEHALL DIGITAL COMPACT SAFE



CARPETED INTERIOR
CUSHIONED BASE



SOLID STEEL BOLTS
EXTRA SECURE



FITS STANDARD TABLETS
ALSO LAPTOPS UP TO 14"



DIGITAL DISPLAY
EASY TO READ

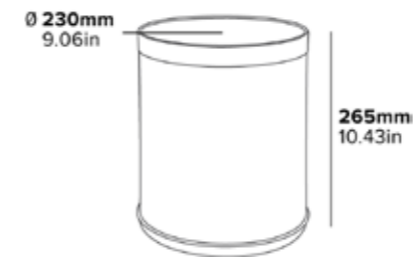
- Black powder coated body
- 6 digital manager code
- 3-6 figure guest code
- Suitable for laptops and tablets up to 14"
- Carpet floored interior
- Interior LED light
- Solid steel locking bolts
- Fixing screws supplied
- 4 x AA batteries included
- 1 x back up keys
- Includes full operating instructions

- Internal dimensions:
H178 W415 D270 mm
- Aperture:
H133 W360 mm (not inc hinge)



THORNTON 9L DOUBLE LAYER BIN

- 9 litre volume
- Designed to conceal bin liners
- Available in a range of finishes
- Durable construction
- Rubberised floor protecting base
- Steel thickness 0.5mm
- 201 grade stainless steel
- Fire retardant
- Case quantity 6



TEXTURED BLACK FINISH
BRUSHED STEEL COLLAR



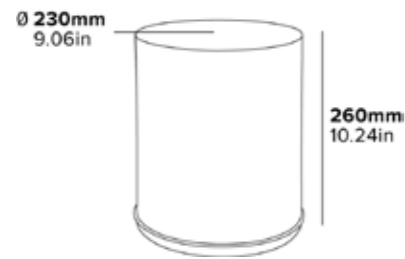
BRUSHED STEEL FINISH
CHROME COLLAR



WHITE GLOSS FINISH
BRUSHED STEEL COLLAR

THORNTON 9L WASTE PAPER BIN

- 9 litre volume
- Available in a range of finishes
- Durable construction
- Rubberised floor protecting base
- Steel thickness 0.5mm
- 201 grade stainless steel
- Fire retardant
- Case quantity 6



TEXTURED BLACK FINISH



BRUSHED STEEL FINISH



GLOSS WHITE FINISH

CROFT 3L PEDAL BIN



GLOSS BLACK FINISH



GLOSS WHITE FINISH



CHROME FINISH



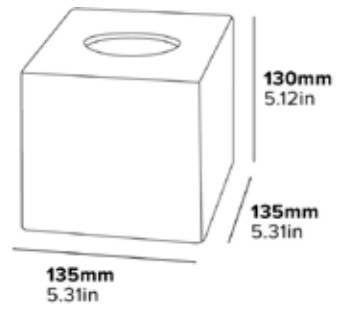
BRUSHED STEEL FINISH

- Designed to conceal bin liners
- Gripped pedal
- Easy clean removable plastic bucket
- Durable construction
- 430 grade stainless steel
- Case quantity 6



DEVON CUBE TISSUE BOX HOLDER

- Easy to replenish
- Robust ABS plastic construction
- Concealed base
- Case quantity 6



TEXTURED BLACK FINISH



CHROME FINISH

DEVON RECTANGULAR TISSUE BOX HOLDER

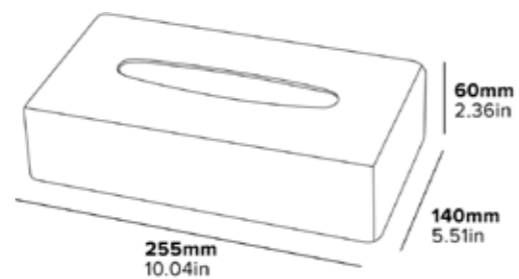
- Easy to replenish
- Robust ABS plastic construction
- Concealed base
- Wall mountable
- Supplied with screws, wall plugs & adhesive strips
- Case quantity 6



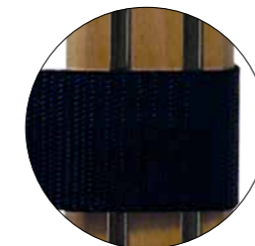
TEXTURED BLACK FINISH



CHROME FINISH



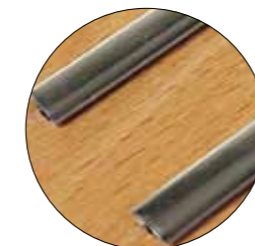
YORK WOODEN LUGGAGE RACK



NYLON STRAPS
EASY TO FOLD



STRONG CONSTRUCTION
HOLDS UP TO 50KG



CHROME INLAYS
PREVENTS SCRATCHES



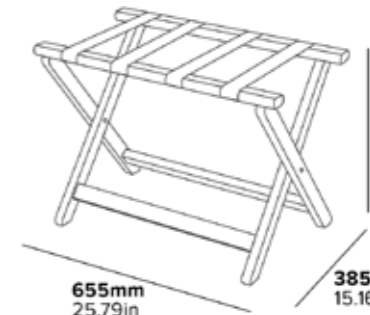
CHOICE OF COLOUR
BEECH OR MAHOGANY



- Available in Beech or Mahogany
- Nylon straps x 4
- Chrome inlays
- Holds up to 50kg
- Folds flat for easy storage



600mm
23.62in



485mm
19.09in

385mm
15.16in

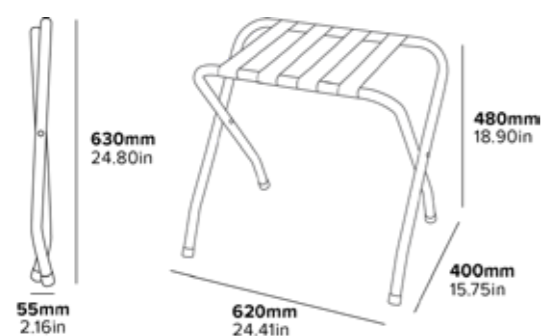
ASHTON METAL LUGGAGE RACK - WITH BACK

- Tubular steel construction with nylon straps
- Black or chrome finish
- Integrated wall protector
- Holds up to 50kg
- Folds flat for easy storage



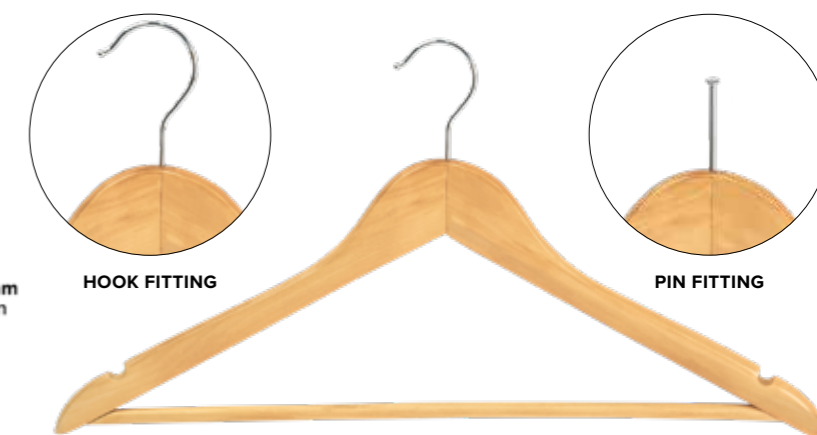
ASHTON METAL LUGGAGE RACK - NO BACK

- Tubular steel construction with nylon straps
- Black or chrome finish
- Holds up to 50kg
- Folds flat for easy storage



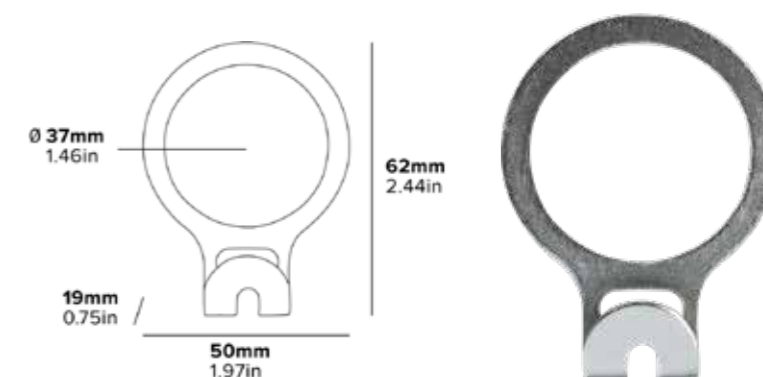
CHELSEA GUEST HANGERS

- Integrated trouser bar
- Metal security pin or hook
- Beech solid wood
- Metal ring attachment sold separately
- Case quantity 100



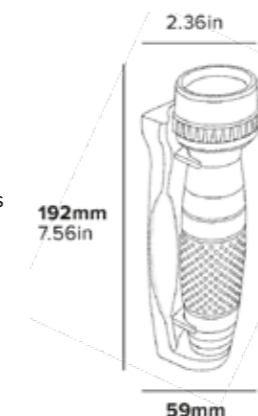
CHELSEA METAL RING ATTACHMENTS

- Security pin rail ring
- Each ring is supplied in a resealable clear bag
- Case quantity 50



BRIGHTON LED TORCH LIGHT

- Battery powered torch light
- Anti-theft design
- Switches on automatically when removed from holder
- Wall mountable
- LED light bulb
- Comes with 3 x AA Panasonic batteries with anti-leak protection to ensure long life

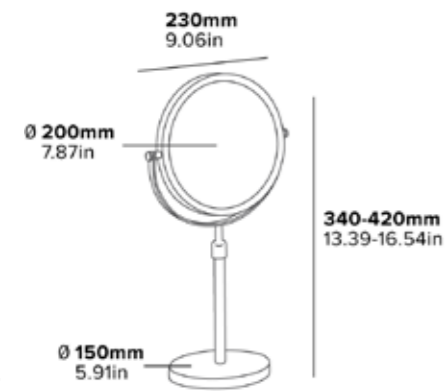


BATHROOM ACCESSORIES



WINCHESTER FREE STANDING MIRROR

- Chrome finish
- Illuminated and non-illuminated options
- Regular magnification and x5 magnification (double sided)
- Extend, tilt and rotate into position
- Battery operated, 4min auto cut-off (illuminated only)
- Comes with 4 x AAA Panasonic batteries with anti-leak protection to ensure long life

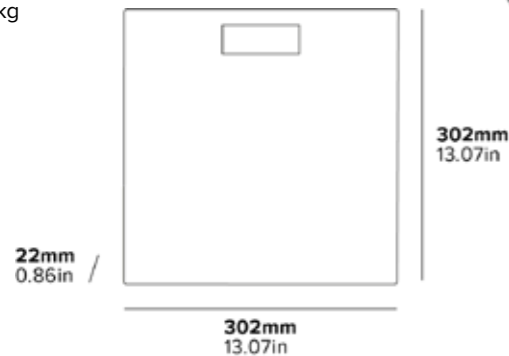


NON ILLUMINATED

ILLUMINATED

HELMSLEY DIGITAL BATHROOM SCALES

- Digital display
- Slim-line glass design
- Imperial and metric weight settings (kg or lb or st)
- 180Kg Maximum weight capacity
- Rubber feet
- 2 x AAA batteries included
- 6mm glass
- Choice of black or grey finish
- Case quantity 5
- 1.5kg



WINCHESTER WALL MOUNTED MIRRORS



BLACK CHROME - NON ILLUMINATED



BLACK CHROME - ILLUMINATED

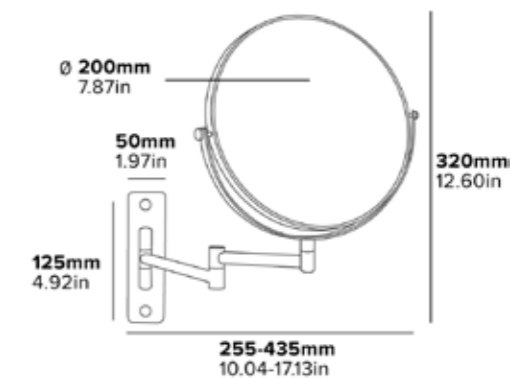


CHROME - NON ILLUMINATED



CHROME - ILLUMINATED

- Black Chrome or Chrome finish
- Illuminated and non-illuminated options
- Regular magnification and x5 magnification (double sided)
- Extend, tilt, rotate and swivel into position
- Folds flat to wall when not in use
- Fixings and batteries included
- Battery operated, 4min auto cut-off (illuminated only)
- Comes with 4 x AAA Panasonic batteries with anti-leak protection to ensure long life



TROUSER PRESSES

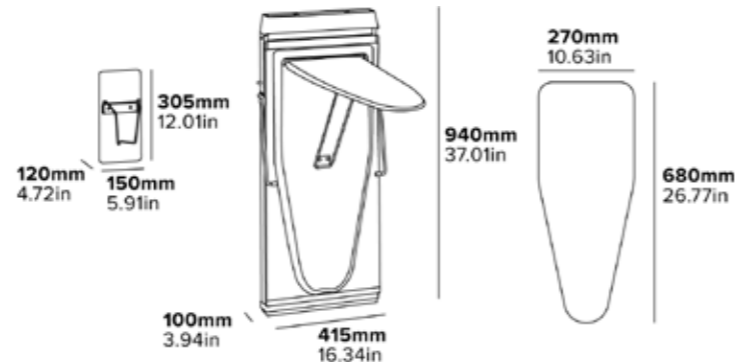


CORBY 6600 TROUSER PRESS



- Fold out ironing board
- Hard wired iron
- 15 minute timer
- Thermostat
- Manual cancel option
- Automatic cut off
- Coin tray
- Wall mounted fixings included
- 210W 220-240V, 50-60Hz
- Fully Certified & CE Marked
- Available in beech, black ash, mahogany, white havana pine, oak, satin chrome, walnut, brown sorano oak, white

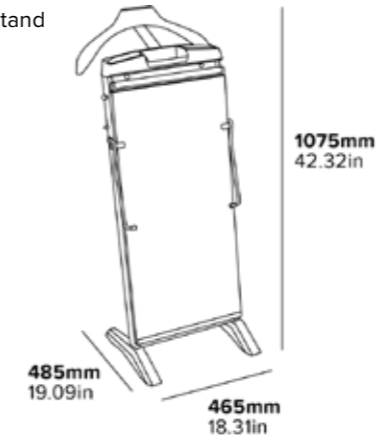
- Choice of iron available, see p18:
- Sherwood 1200W Steam Iron - Black



CORBY EXECUTIVE TROUSER PRESS



- Free standing or wall mounted (fixings included)
- Includes 15, 30 & 45 minute timer
- The 45minute cycle returns wrinkled trousers to a smooth finish with a smart crease. The 30 minute cycle is ideal for light to medium weight fabrics, whilst the 15 minute cycle provides a quick refresh of the centre crease
- The patented and unique stretcher bars offer a solution to wrinkled trousers around the knee area
- Thermostat with manual cancel option
- The coin tray and jacket hanger allows the press to be a useful valet stand
- Automatic cut off
- Chrome tie bar & arms
- 210W 220-240V, 50-60Hz
- Fully Certified & CE Marked
- Available in gloss black



CORBY 7700 TROUSER PRESS

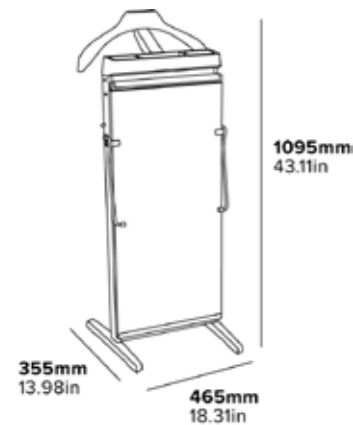


- 15, 30 & 45 minute timer & thermostat with manual cancel option is ideal for lighter fabrics such as suit material
- The 45minute cycle returns wrinkled trousers to a smooth finish with a smart crease. The 30 minute cycle is ideal for light to medium weight fabrics, whilst the 15 minute cycle provides a quick refresh of the centre crease
- The patented and unique stretcher bars offer a solution to wrinkled trousers around the knee area
- The coin tray and jacket hanger allows the press to be a useful valet stand
- Free standing or wall mounted
- Automatic cut off
- 210W 220-240V, 50-60Hz
- Fully Certified & CE Marked
- Available in beech, black ash, mahogany, white havana pine, oak, satin chrome, walnut, brown sorano oak, white



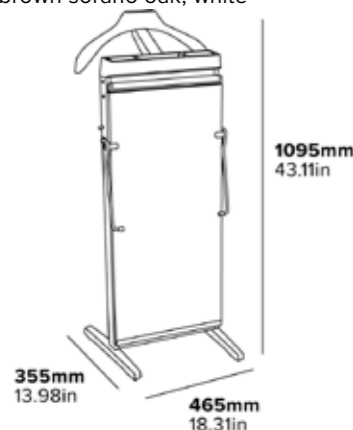
CORBY 4400 TROUSER PRESS

- 15 & 30 minute timer & thermostat with manual cancel option and automatic cut off
- The 30 minute cycle on the 4400 series is ideal for light to medium weight fabrics, whilst the 15 minute cycle provides a quick refresh of the centre crease
- The patented and unique stretcher bars offer a solution to wrinkled trousers around the knee area
- The coin tray and jacket hanger allows the press to be a useful valet stand
- Free standing or wall mounted
- 210W 220-240V, 50-60Hz
- Fully Certified & CE Marked
- Available in beech, black ash, mahogany, white havana pine, oak, satin chrome, walnut, brown sorano oak, white



CORBY 3300 TROUSER PRESS

- 30 minute timer & thermostat with manual cancel option is ideal for lighter fabrics such as suit material
- Free standing or wall mounted
- The patented and unique stretcher bars offer a solution to wrinkled trousers around the knee area
- The coin tray and jacket hanger allows the press to be a useful valet stand
- 210W 220-240V, 50-60Hz
- Fully Certified & CE Marked
- Automatic cut off
- Available in beech, black ash, mahogany, white havana pine, oak, satin chrome, walnut, brown sorano oak, white



CORBY

OF WINDSOR



A CULTURE OF EXCELLENCE

What makes Corby of Windsor so special is the ability to utilise a comprehensive network. By leveraging our wholly-owned Chinese factory, we have complete control of the supply chain, from raw material to finished product.

Through the Corby quality programme, every component is inspected and tested at each stage of the manufacturing process, eliminating defects and in turn maintaining the high standards which we set for ourselves.



CORBY
OF WINDSOR

A history to be proud of combined with a culture of distinction

Corby of Windsor has been servicing the world's premium hotels and guesthouses since 1930, and now offers a range of over 200 products. We are proud of Corby's long and extraordinary history which started off with a non-electrical trouser press that was first invented by John Corby in 1929 and has evolved to a customer-focused company with a dedication to innovation and quality.

FOR MORE INFORMATION OR TO ENQUIRE:

Tel: +44 (0) 3300 882 064

Int. Tel: +44 (0) 1264 325 138

Email: trade@corbyofwindsor.com

Web: corbyofwindsor.com